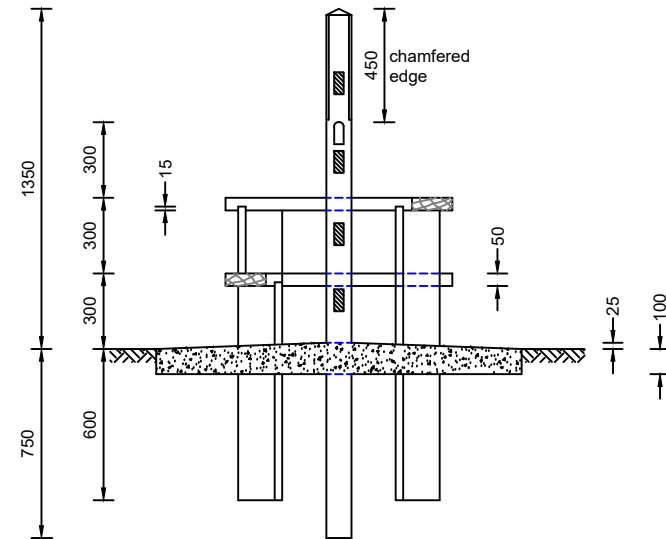
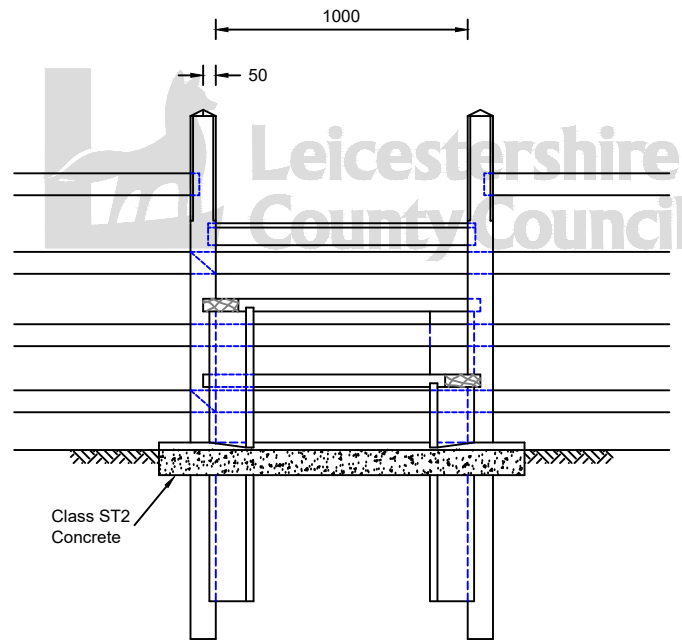
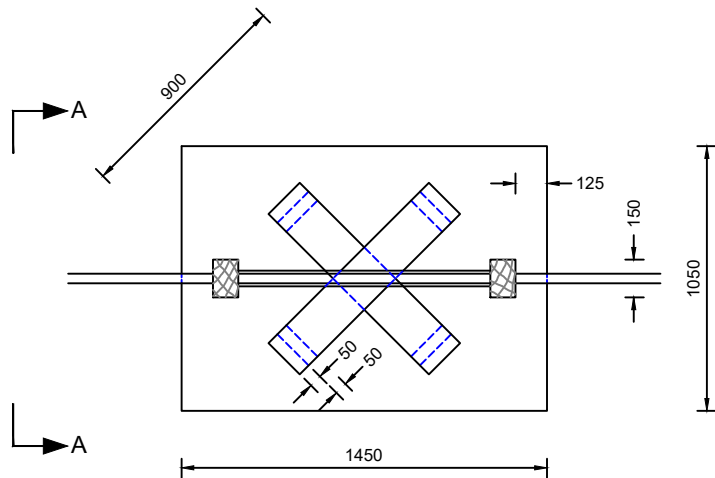


NOTES:
 1. For Notes see Drg No **SD/300/25**



SECTION A - A



| DESCRIPTION OF MATERIAL | SIZE |
|---|--------------------------|
| Posts | 100 x 150 x 2100 long |
| Crosshead wrought. Top edge double chamfered | 87 x 38 |
| Steps | 175 x 50 x 900 long |
| Supports | Two 175 x 50 x 1165 long |
| Secured by two 100 long x 4 galvanised round wire nails skew driven | Two 175 x 50 x 865 long |

©Crown copyright 2015. All rights reserved. Use of this image is limited to viewing on-line and printing one copy. Leicestershire County Council. 100019271.



TITLE:

FENCING

TIMBER STILE - TYPE 1

| | |
|--|--------------|
| DRAWING NUMBER | DATE |
| SD/300/31 | APRIL 2024 |
| AUTOCAD REF | SCALE |
| K:\GENERAL\ID9997\STDDRG\STD DRGS 2015 | NOT TO SCALE |

| | | |
|-----|------------|--|
| 0 | 01.04.2024 | Supersedes Dwg. SD/3/31 - September 2002 |
| Rev | Date | Notes on Revision |

ENVIRONMENT AND TRANSPORT DEPARTMENT