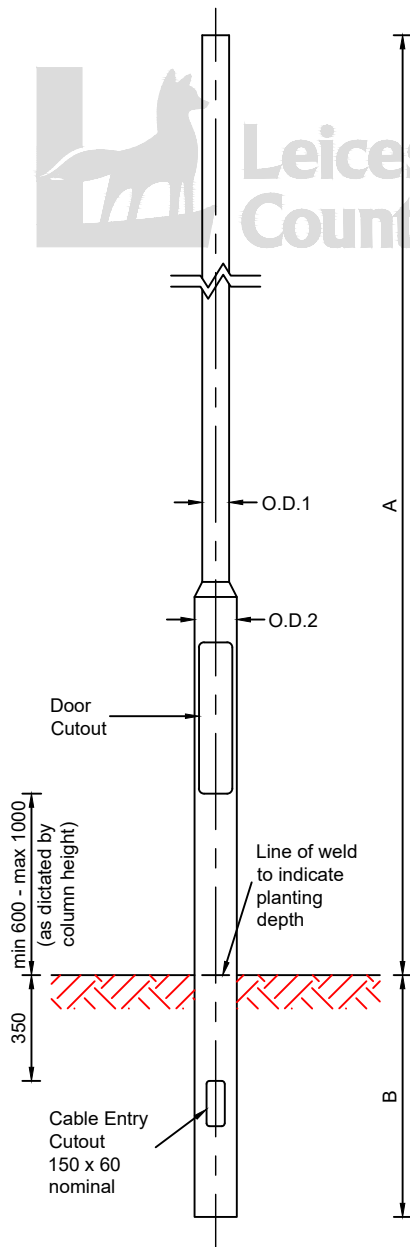


NOTES:

1. All dimensions are in millimetres unless otherwise stated.
2. Design to comply with BS EN 40-3-1.



COLUMN HEIGHT	DIMENSION A	DIMENSION B	O.D.1	O.D.2	DOOR APERTURE	SIGN OPTIONS
6	6000	800	89	140	500 x 110	1 or 2
6	6000	1000	140	140	500 x 110	3
8	8000	1200	89	168	600 x 120	3 or 4
10	10000	1500	114	168	600 x 120	5,6 & 7 COMBINED

ATTACHMENTS

DESCRIPTION	SIZE	WEIGHT	MOUNTING HEIGHT	MOUNTING OPTION
SLOW DOWN	300mm	6Kg	2.4m AGL	1
CNR FLASHER	450mm	35Kg	2.4m AGL	2
SLOW DOWN	600mm	50Kg	2.4m AGL	3
SLOW DOWN	750mm	74Kg	2.4m AGL	4
SOLAR PANEL	1.014m ²	13Kg	6m AGL	5
BATTERY BOX	0.145m ²	51Kg	3m AGL	6
WIND GENERATOR	0.415m ²	13Kg	10mAGL	7

BS EN 40 COLUMN SPECIFICATION STANDARD REQUIREMENTS

MEAN AVERAGE WIND SPEED = 22m/sec
 SITE ALTITUDE = AVERAGE 150m
 TERRAIN TYPE GROUP A COLS = II, GROUP B TYPE COLS = III
 TOPOGRAPHY = 1.0
 RATIONALISED WIND SPEED = MEDIUM
 SAFETY FACTOR = CLASS B
 DEFLECTION = CLASS 3
 FATIGUE CHECK = BD 26/04
 ROAD SIGN ATTACHMENT = CLASS A
 FOUNDATION TYPE = AVERAGE
 FINISH WITH 'GALVGARD' OR SIMILAR APPROVED



©Crown copyright 2015. All rights reserved. Use of this image is limited to viewing on-line and printing one copy. Leicestershire County Council. 100019271.

<p>ENVIRONMENT AND TRANSPORT DEPARTMENT</p>	TITLE: STREET LIGHTING DETAILS OF TUBULAR STEEL COLUMN FOR VEHICULAR ACTIVATED SIGNS	DRAWING NUMBER	DATE			
		SD/1300/13	APRIL 2024			
		AUTOCAD REF	SCALE			
		K:\GENERAL\ID9997\STDDRG\STD DRGS 2015	NOT TO SCALE	0	01.04.2024	Supersedes Dwg. SD/13/13 - September 2002
				Rev	Date	Notes on Revision